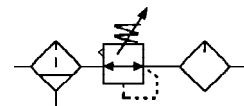


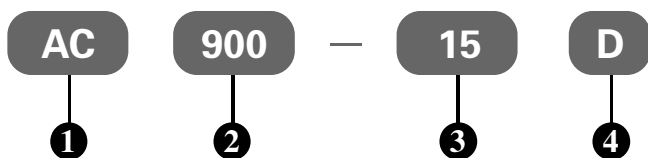
Filter Regulator+Lubricator

Specification:

Type	AC901-15	AC901-20
Port size G	1½"	2"
Gauge thread G	1/4"	
Fluid	Compressed Air	
Operating pressure range MPa	0.15~0.85	
Ambient temperature °C	-10~60	
Filter precision	Standard: 20 μ m	
Cup material	Die-casting Aluminum	

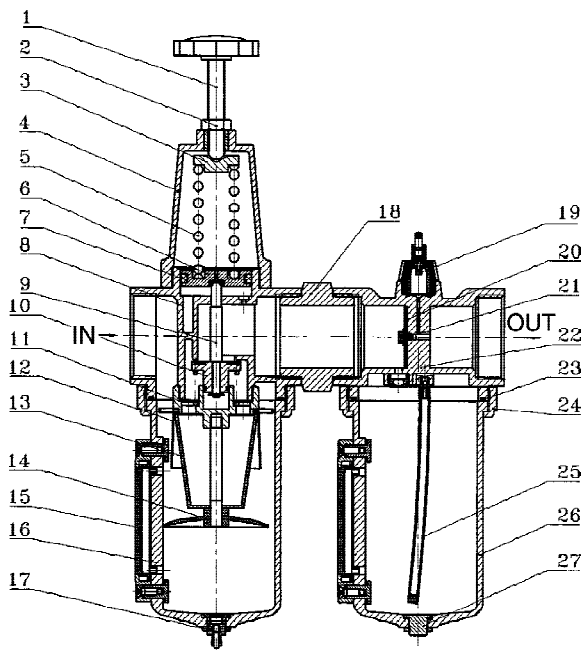


How to order:



①	AC Filter Regulator+Lubricator
②	Type: 901
③	Port size: 15:G1½", 20:G2"
④	□: Differential pressure drain, D: Auto-drain;

Inner structure drawing:



No	Code	No	Code
1	Handle wheel	15	Visual oil window
2	Nut	16	Water cup
3	Iron gasket	17	Drainer
4	Valve cover	18	Connector
5	Adjustable spring	19	Oil window components
6	Piston	20	Damping fin
7	O-ring	21	Damping nut
8	Filter regulator body	22	Lubricator body
9	Valverod	23	O-ring
10	Regulator core	24	Nut
11	Core pedestal	25	Oil tube
12	Impeller	26	Oil cup
13	Filter core	27	Plug
14	Battier board		

Dimension(mm):

■ AC901-15、20

