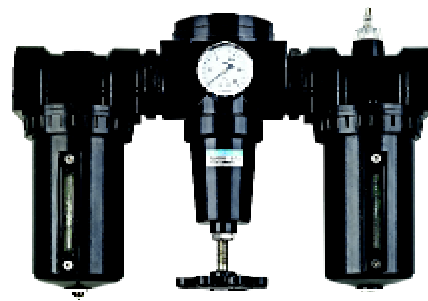
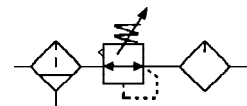


Filter+Regulator+Lubricator

Specification:

Type	AC900-15	AC900-20
Port size G	1 1/2"	2"
Gauge thread G	1/4"	
Fluid	Compressed Air	
Operating pressure range MPa	0.15~0.85	
Ambient temperature °C	-10~60	
Filter precision	Standard: 20 μ m	
Cup material	Die-casting Aluminum	

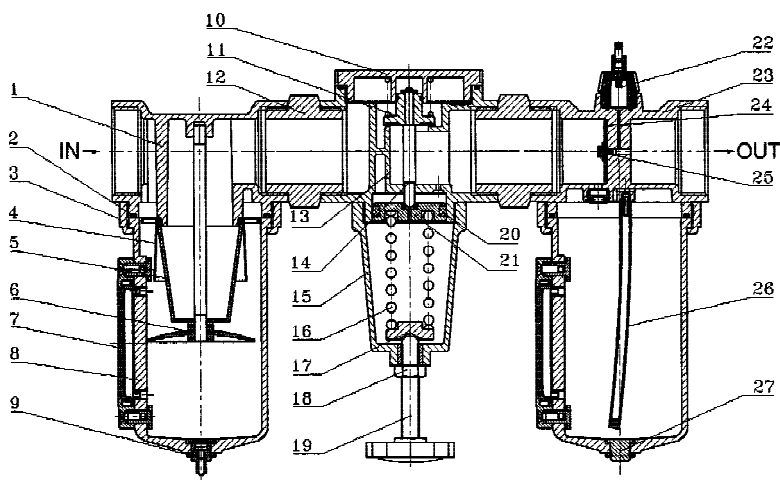


How to order:



①	AC Filter+Regulator+Lubricator
②	Type: 900
③	Port size: 15:G1 1/2", 20:G2"
④	□: Differential pressure drain, D: Auto-drain;

Inner structure drawing:



No	Code	No	Code
1	Filterbody	15	Valve cover
2	O-ring	16	Doom button
3	Nut	17	Iron gasket
4	Impeller	18	Nut
5	Filtercore	19	Handle wheel
6	Barrietboard	20	O-ring
7	Visual oil window	21	Piston
8	Watercup	22	Oil window components
9	Drainer	23	Lubricatorbody
10	Valve cover	24	Damping fin
11	Regulator core	25	Dampingnut
12	Connector	26	Oil tube
13	Regulatorbody	27	Plug
14	Valverod		

Dimension(mm):

■ AC900-15、20

