

Standard Cylinder

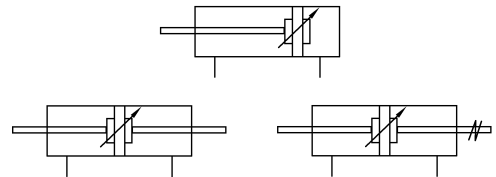
ISO International standard aluminium alloy cylinder:

- Finished by aluminum alloy die-casting, CNC mechanically processed with high precision. Quality meet international standard.
- Aluminum tube is imported, stainless forever with friction & corrosion resistance.
- Adopt imported none lubrication, long time service and no need lubrication maintenance.
- Unique cushion technique makes smooth action.
- May add the sensor equipment to easily control.

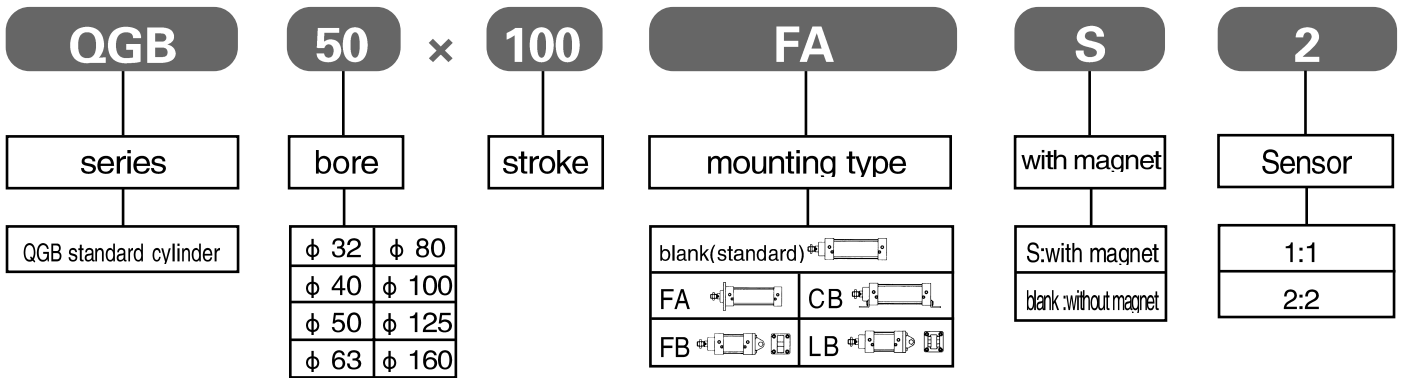


Specification:

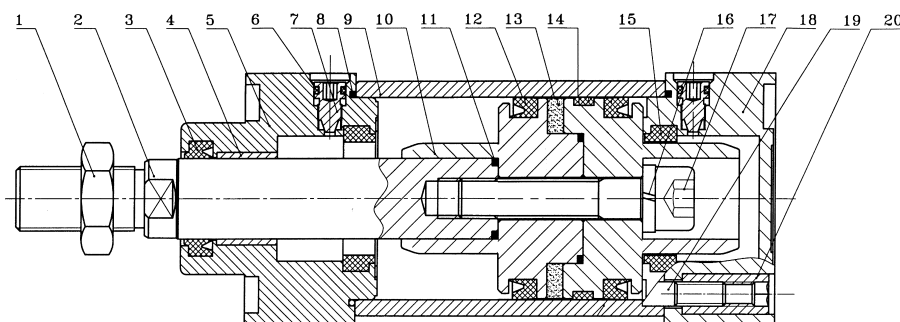
Mode	32	40	50	63	80	100	125	160
Motion	Double acting							
Series	QGB							
Fluid	Compressed Air							
Operating pressure range (Mpa)	0.1~1							
Operating speed mm/sec	50~500							
Ambient temperature °C	-10~70°C							
Cushion	adjustable cushion at both ends							
Port size	1/8"	1/4"	3/8"	1/2"		3/4"		



How to order:



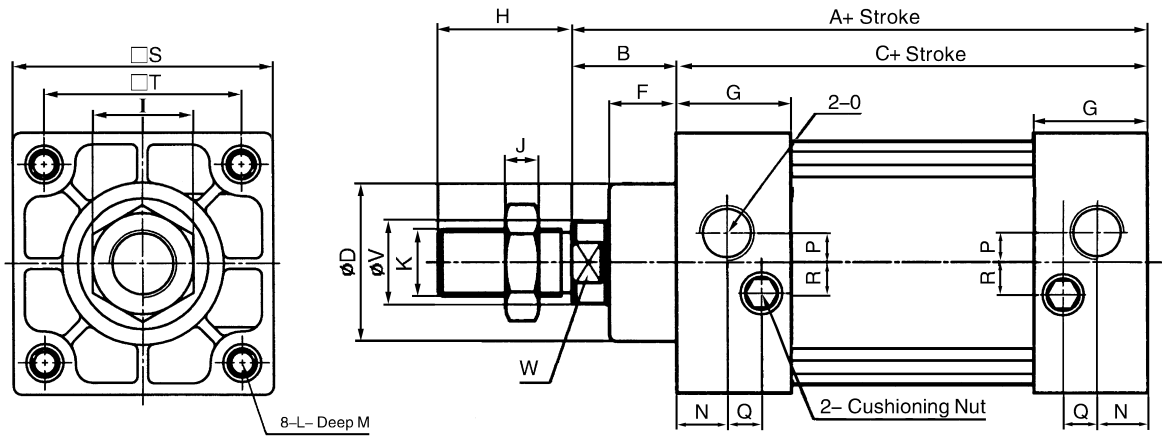
Inner structure drawing:



1	hexagon nut	11	O -ring
2	Piston Rod	12	C -ring
3	compages seal	13	magnet
4	oiled bearing	14	guard seals
5	front cover	15	compages seal
6	O -ring	16	spring washer
7	cushion adjusting bolt	17	inner hexagon bolt
8	O -ring	18	rear cover
9	tube	19	pull-rod
10	piston	20	pull-rod nut

Standard Dimension:

■ ϕ 32~ ϕ 200



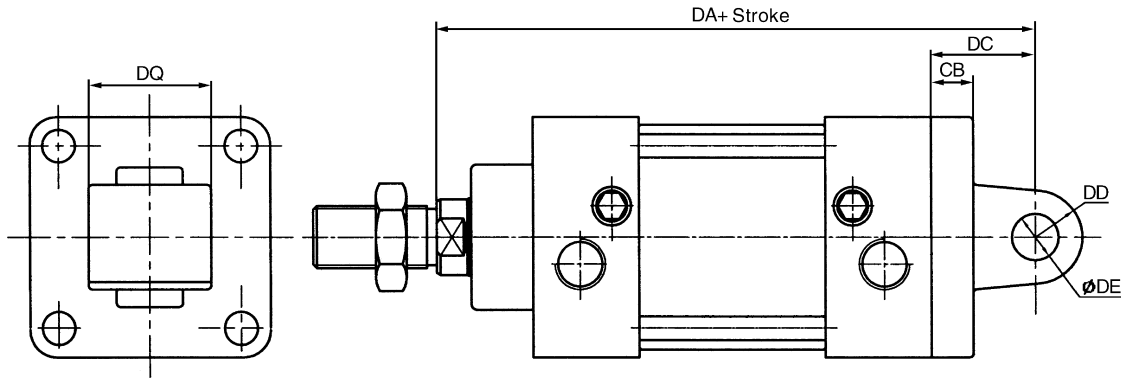
bore/stroke	A	B	C	D	F	G	H	I	J	K	L
32	118	25	93	28	15	27.5	22	16	6	M10 × 1.25	M6
40	135	30	105	30	23	28	24	18	7	M12 × 1.25	M6
50	145	35	110	35	25	28	32	24	8	M16 × 1.5	M6
63	158	37	121	40	25	32	32	24	8	M16 × 1.5	M8
80	174	46	128	50	30	32	40	30	10	M20 × 1.5	M10
100	189	51	138	50	35	37.5	40	30	10	M20 × 1.5	M10
125	225	65	160	60	44.5	46.5	54	41	11	M27 × 2	M12
160	260	80	180	65	48	50	72	55	13	M36 × 2	M16

bore/stroke	M	N	O	P	Q	R	S	T	V	W
32	14	11	G1/8"	6	9	6	45.5	33	12	10
40	14	11	G1/4"	7	9	7	53	40	16	13
50	14	11	G1/4"	7	9	7	65	48	20	17
63	14	14	G3/8"	8	10	8	80	58	20	17
80	16	14	G1/2"	12	10	10	100	75	25	22
100	17	16	G1/2"	12	13	10	120	90	25	22
125	18	23	G1/2"	12	13	18	136	110	32	27
160	18	24	G3/4"	12	13	22	180	145	40	36

Note: The sizes of accessories are same as SC ' s

CA Dimension:

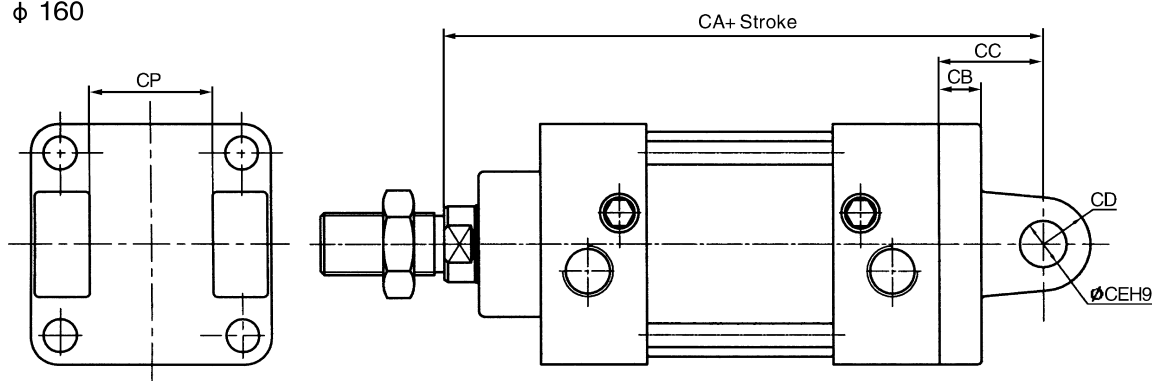
■ ϕ 32~ ϕ 160



bore/stroke	DA	DC	CB	DD	ϕ DE	DQ
32	140	22	10	10	10	26
40	160	25	10	12	12	28
50	170	25	10	12	12	32
63	190	32	12	15	16	40
80	210	36	16	15	16	50
100	230	41	16	20	20	60
125	275	53	20	25	25	70
160	315	57	20	30	30	90

CB Dimension:

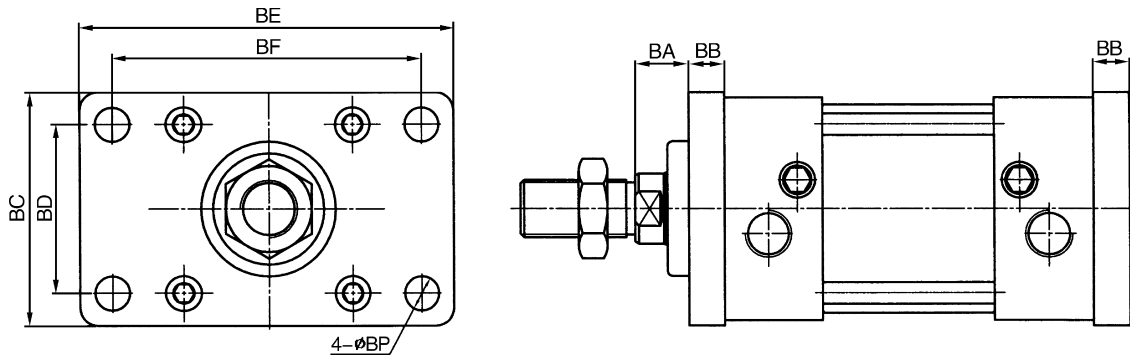
■ ϕ 32~ ϕ 160



bore/stroke	DA	DC	CB	DD	ϕ CE	CP
32	140	22	10	10	10	26
40	160	25	10	12	12	28
50	170	25	10	12	12	32
63	190	32	12	15	16	40
80	210	36	16	15	16	50
100	230	41	16	20	20	60
125	275	53	20	25	25	70
160	315	57	20	30	30	90

FA Dimension:

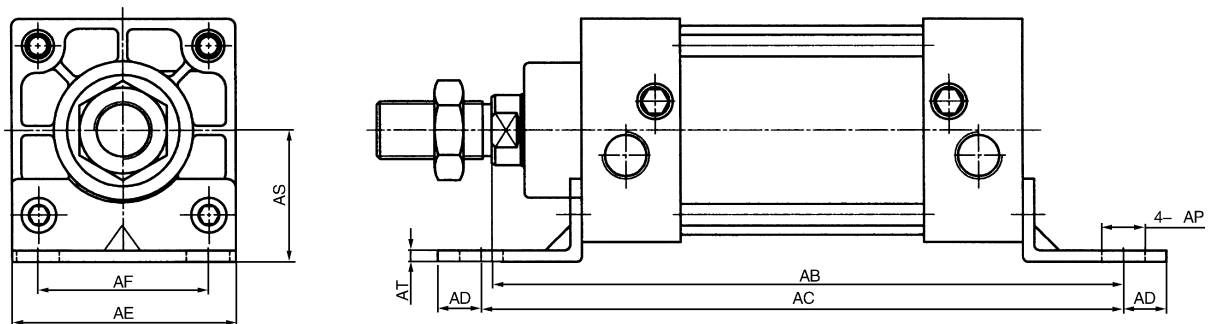
■ ϕ 32~ ϕ 160



bore/stroke	C	BA	BB	BC	BD	BE	BF	BP
32	93	15	10	48	33	80	64	7
40	105	20	10	55	36	90	72	9
50	110	25	10	65	45	110	90	9
63	121	25	12	80	50	25	100	9
80	128	30	16	100	63	155	126	12
100	138	35	16	115	75	180	150	14
125	160	45	20	145	90	215	180	16
160	180	60	20	190	115	270	230	18

LB Dimension:

■ ϕ 32~ ϕ 160



bore/stroke	AB	AC	AD	AE	AF	AP	AS	AT
32	142.5	142	11	48	32	7	32	4
40	163	161	12	55	36	9	36	5
50	175	170	15	65	45	9	45	6
63	190	185	13	80	50	9	50	6
80	215	210	19	100	63	12	63	8
100	230	220	19	115	75	14	75	8
125	270	250	25	145	90	16	90	8
160	320	300	30	190	115	18	115	10