

Multi-pressure thin clinder

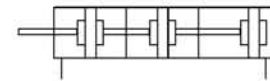
Character:

- By connecting 2,3 or 4 cylinders which have the same bore and stroke,make the push force as 2,3 or 4 times than one cylinder.
- Only need two air ports.
- Attention: Draw-in force is the same as one cylinder.

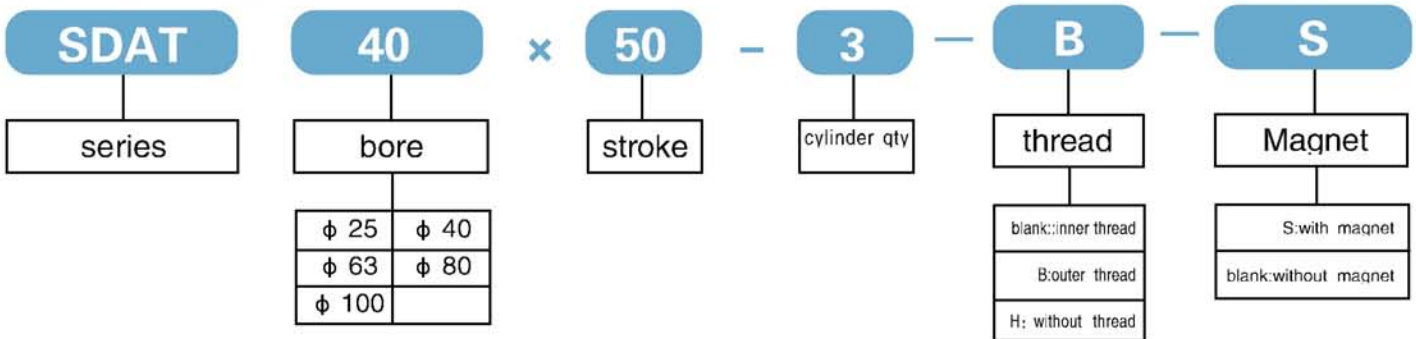


Specification:

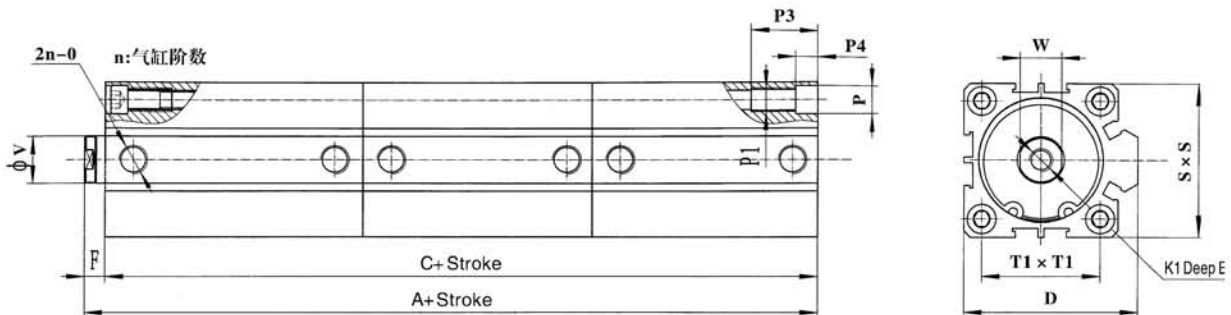
Mode	25	40	63	80	100
Fluid	air				
structure character	type piston cylinder				
Operating pressure range (Mpa)	0.1~1				
Ambient temperature(°C)	-10~70°C				



How to order:



Dimension:



mode	without magnet		with magnet		D	E		F	K 1	O	P	P1	P3	P4	S	T1	V	W
	A	C	A	C		≤ 10	> 10											
25	22n+5	22n-1	22n+15	22n+9	42		10	6	M5 × 0.8	M5 × 0.8	8.2	M6 × 1	15	5.5	40	28	10	8
40	27n+6	27n-1	27n+16	27n+9	59		12	7	M8 × 1.25	G1/8"	10	M8 × 1.25	20	7.5	52	40	16	14
63	33n+8	33n-1	33n+18	33n+9	84.5		15	9	M10 × 1.5	G1/4"	11	M8 × 1.25	25	8.5	75	60	20	17
80	42n+10	42n-1	42n+20	42n+9	104	15	20	11	M14 × 1.5	G3/8"	14	M12 × 1.75	25	10.5	94	74	25	22
100	52n+11	52n-1	52n+21	52n+9	124	18	20	12	M18 × 1.5	G3/8"	17.5	M14 × 2	30	13	114	90	32	27