

Adjustable aluminum alloy cylinder

Character:

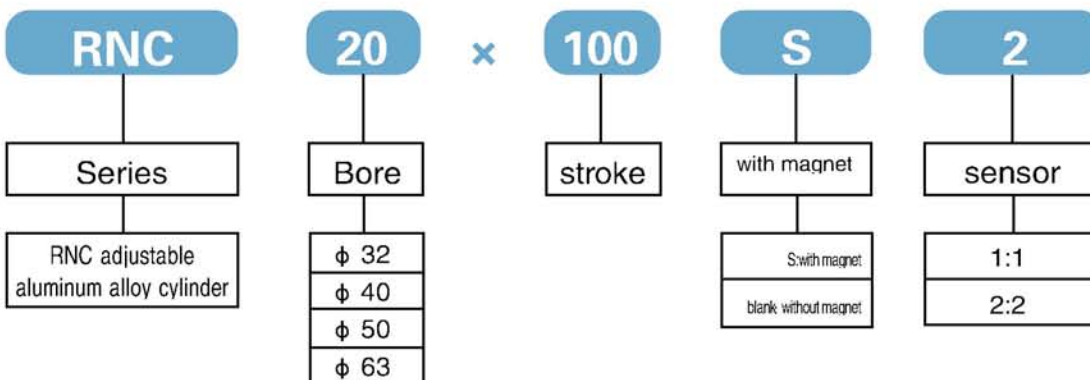
- Adjustable cushion, suitable for high speed movement.
- Front and rear caps are finished by aluminum alloy die-casting, CNC mechanically processed with high precision. Surface by anodizing, good corrosion resistance.
- Has non-lubrication bearing, no maintenance for long time work with longer life than usual one.
- Magnet in piston, whole series can be attached with sensor switch.

Specification:

Mode	32	40	50	63
Motion	Double acting			
Series	RNC			
Fluid	Air			
Operating pressure range (Mpa)	0.1~1			
Operating speed (mm/sec)	50~500			
Ambient temperature (°C)	-10~70			
Port size	1/8"	1/4"	3/8"	

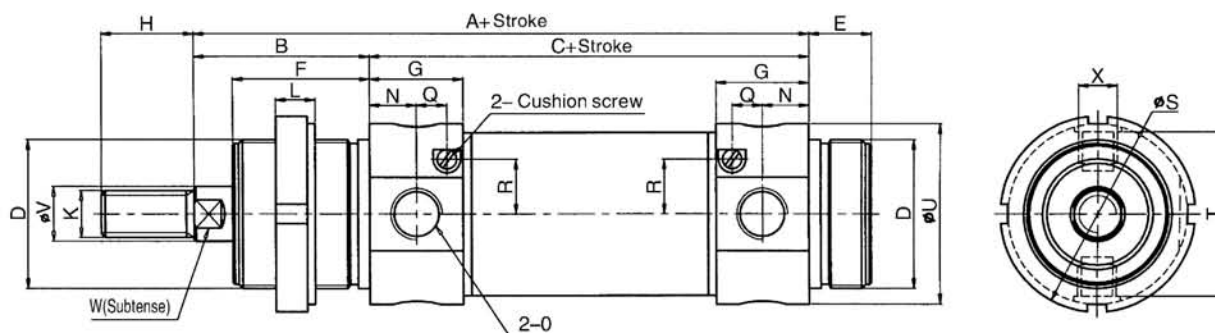


How to order:



Dimension:

■ ϕ 32~63



symbol/bore	A	B	C	D	E	F	G	H	K	L	N	O	Q	R	S	T	U	V	W	X
32	134	38	96	M30 × 1.5	14	30	22	20	M10	8	9	G1/8"	8	13	42	35	38	12	10	M8 × 1
40	158	45	113	M38 × 1.5	16	35	23.9	24	M12	10	12	G1/4"	7.75	14	50	42	46	14	12	M10 × 1
50	170	50	120	M45 × 1.5	18	38	23.9	32	M16	10	12	G1/4"	6.9	14	60	53	57	18	16	M12 × 1.5
63	175	51	124	M45 × 1.5	18	38	23.9	31	M16	10	13	G3/8"	4.9	18.5	60	66	70	18	16	M14 × 1.5